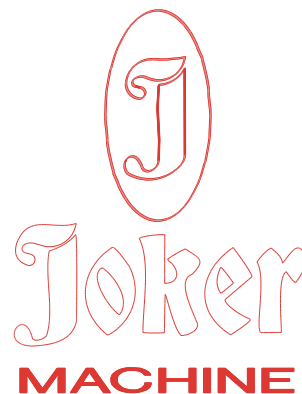
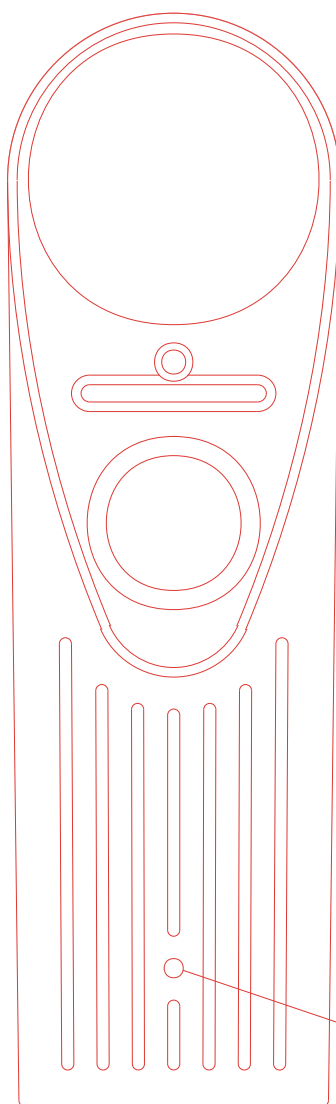
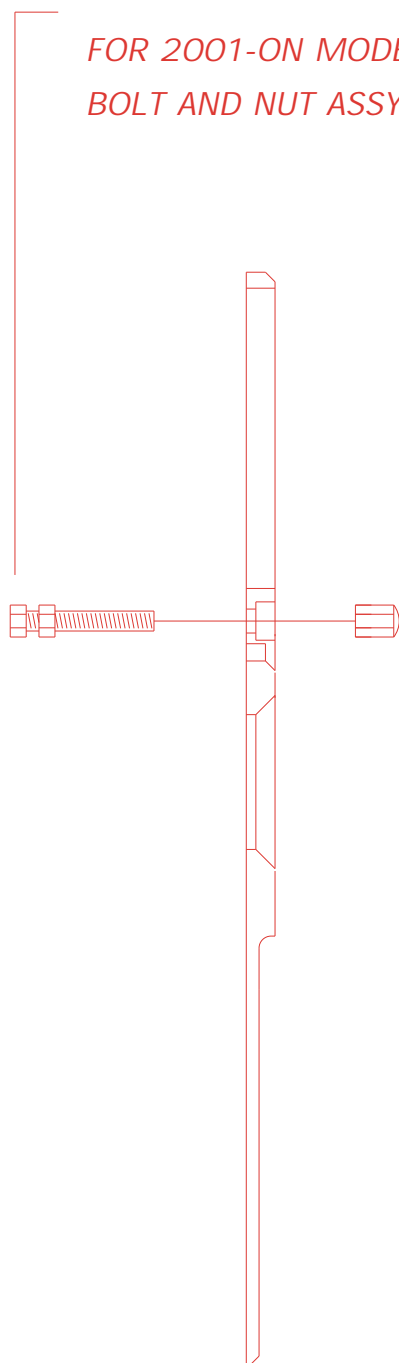


# STYLE KING DASH PANEL

## NOTE:

FOR 2001-ON MODELS, USE THE LONGER  
BOLT AND NUT ASSY. PROVIDED



PH: (909) 613-0028

FX: (909) 613-0098

[WWW.JOKERMACHINE.COM](http://WWW.JOKERMACHINE.COM)

## CARE INSTRUCTIONS:

WASH WITH A MILD DETERGENT AND WARM WATER TO REMOVE ANY ROAD DEBRIS/DIRT ETC.  
AND TAKE GREAT CARE TO DRY IT WITH A CLEAN TOWEL/CLOTH.

USE A ABSOLUTELY CLEAN CLOTH AND APPLY A LIGHT COAT OF A PREMIUM WAX  
OFTEN TO PROTECT THE HIGH CHROME FINISH.