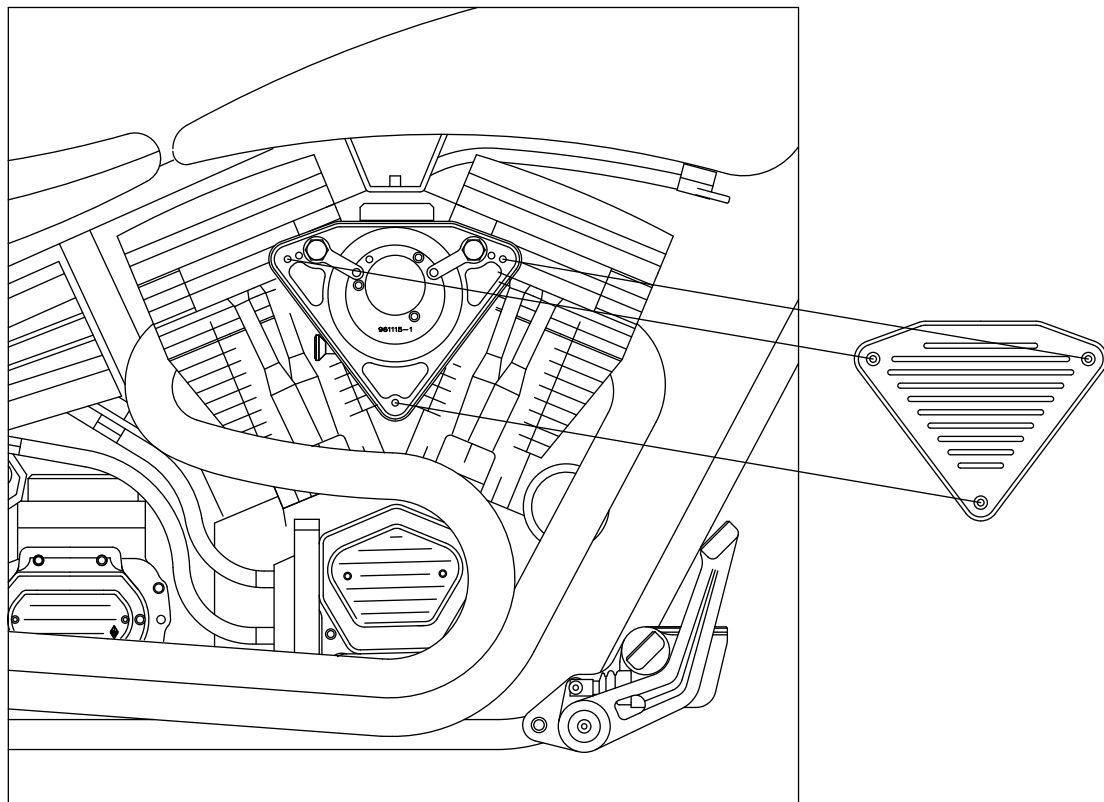
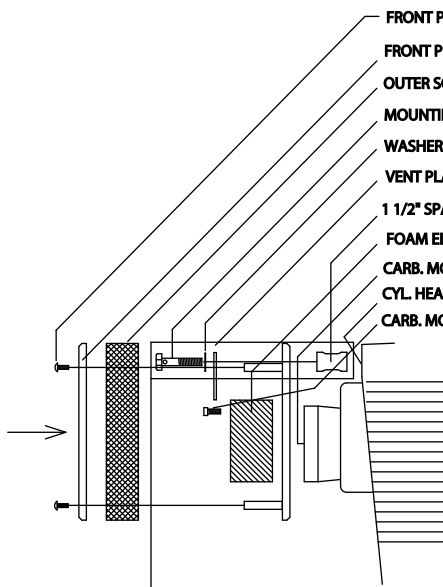


DIAMOND AIR CLEANER ASSY.

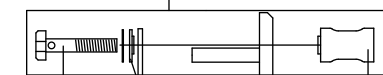


FOR EVO AND TWIN CAM 88 MOTORS

- FRONT PLATE SCREWS (3)
- FRONT PLATE
- OUTER SCREEN
- MOUNTING BOLT (2)
- WASHER (2)
- VENT PLATE (2)
- 1 1/2" SPACER (2)
- FOAM ELEMENT
- CARB. MOUNTING SURFACE
- CYL. HEAD MOUNTING AREA
- CARB. MOUNTING SCREWS (3)



MOUNTING ON TWIN CAM 88 ENGINES



3/8"-16 BOLT

ALUMINUM STEP WASHER

STEP SPACER

APPLY SILICONE TO BOTH ENDS

FOR O.E.M. CARBURETOR:

BOLT DIRECTLY TO MOUNTING FLANGE ON SIDE OF CARBURETOR.

FOR MIKUNI CARBURETOR:

BOLT DIRECTLY TO MOUNTING ADAPTOR COLLAR SUPPLIED WITH O.E.M. COMPATIBLE MIKUNI HSR CARBURETORS. (BLACK PC.)

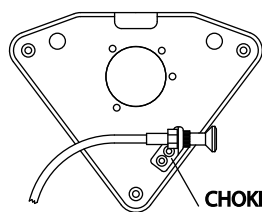
FOR S&S CARBURETOR:

USE JOKER P.N. 961115-SS ADAPTER PLATE & BOLT KIT.

FOR FUEL INJECTED TWIN CAM ENGINES:

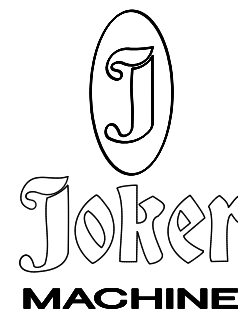
BOLT DIRECTLY TO MOUNTING SURFACE OF THROTTLE BODY. (NO GASKET REQUIRED)

BACK SIDE



CHOKE BRACKET
(FOR MIKUNI ONLY)

(FOR STOCK CV CARB USE EXISTING LOCATION)



PH: (909) 613-0028
FX: (909) 613-0098

WWW.JOKERMACHINE.COM

NOTE:

USE OF LIQUID THREAD LOCKER IS RECOMMENDED ON ALL FASTENERS.