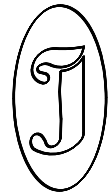
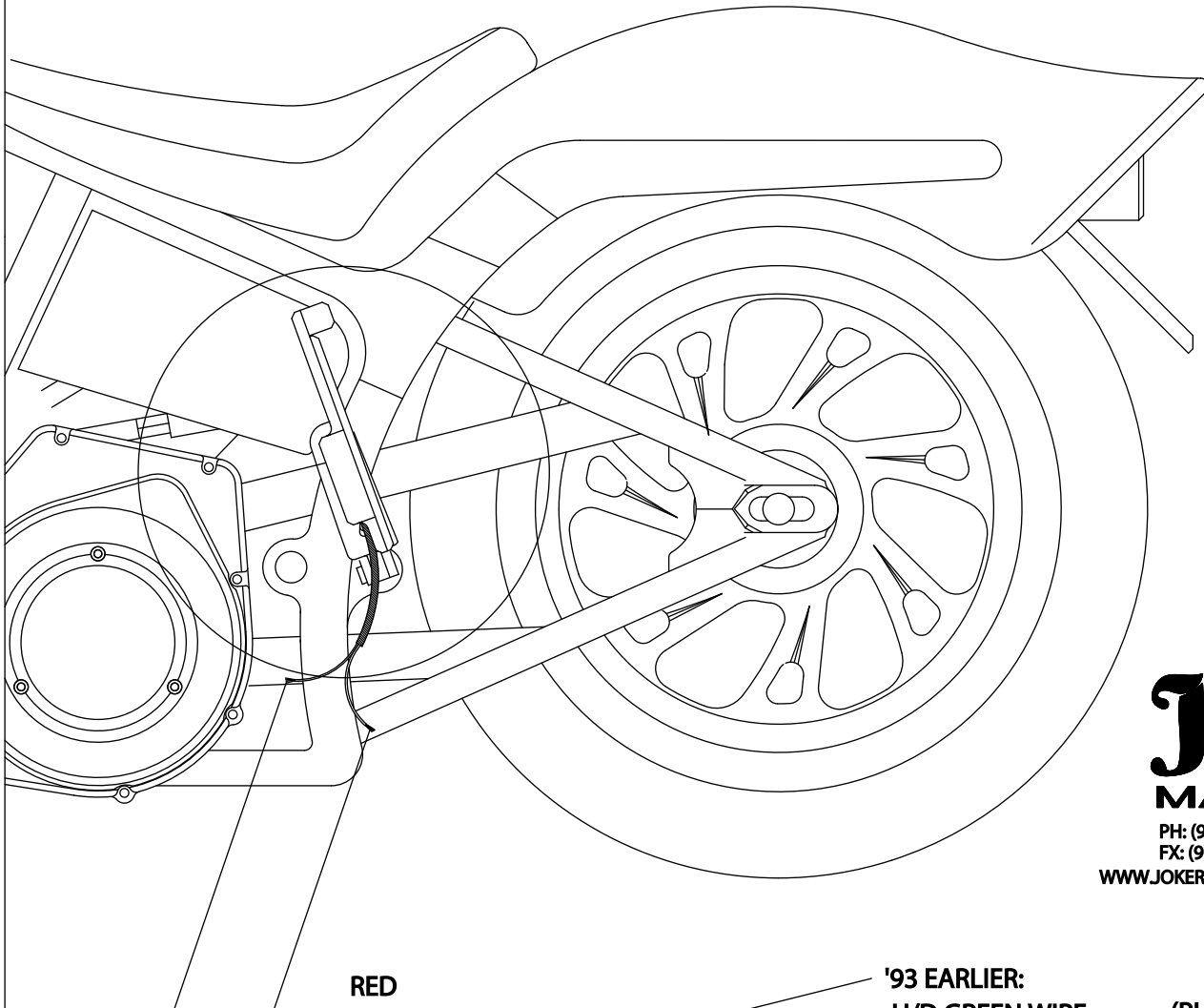


# L.E.D. PEG MOUNT TAG LIGHT ASSY.



**Joker**  
**MACHINE**

PH: (909) 613-0028  
FX: (909) 613-0098

[WWW.JOKERMACHINE.COM](http://WWW.JOKERMACHINE.COM)

- RED
- BLACK (GROUND TO FRAME, NOT SWINGARM)
- '93 EARLIER:  
H/D GREEN WIRE (RUNNING LT.)
- '94 LATER:  
H/D BLUE WIRE (RUNNING LT.)

1. Remove existing left peg from mounting fork.  
Install assembly onto peg fork and adjust to desired angle.
2. Find wiring leading from taillight harness.
3. Solder and insulate connections thoroughly and route the wiring behind the frame to obtain the cleanest look.
4. (Make sure wiring has ample slack while rotating the assy. and down).

#### SECIFICATIONS:

VOLTAGE: 12-14 VDC

DRAW: 50MA @ 12 VOLTS

030820 D 7/06