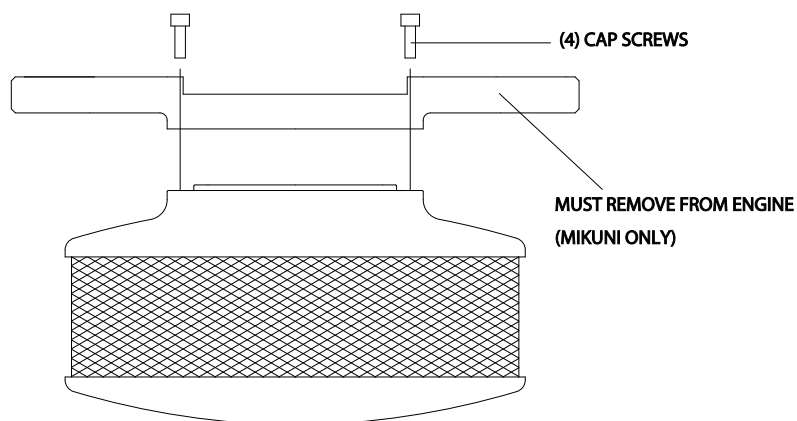


A/C UNIT TO VELOCITY BRACKET INSTRUCTIONS

A/C TO MIKUNI VELOCITY STACK BRACKET

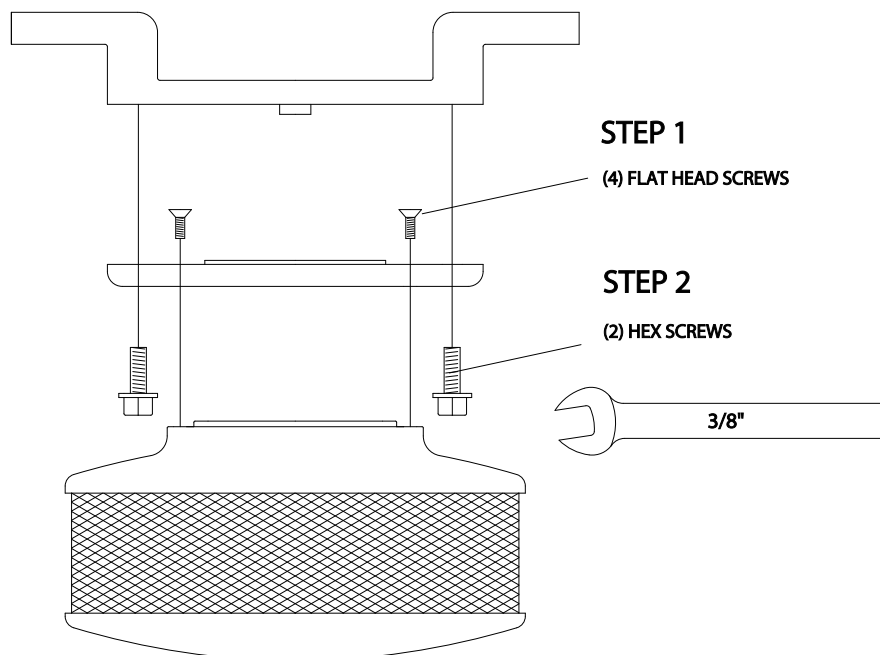



REMOVE 4 SCREWS FROM THE BRACKET ASSY.
TO RELEASE VELOCITY CONE

USING THE SAME SCREWS, INSTALL THE A/C
UNIT ONTO THE BRACKET.

(USE LIQUID THREAD LOCKER ON ALL SCREWS)

A/C TO S&S VELOCITY STACK BRACKET
ON THE S&S VERSION, USE THE 2 HEX SCREWS
AND USE AN OPEN END 3/8" WRENCH TO INSTALL




Joker
MACHINE
PH: (909) 613-0028
FX: (909) 613-0098
WWW.JOKERMACHINE.COM