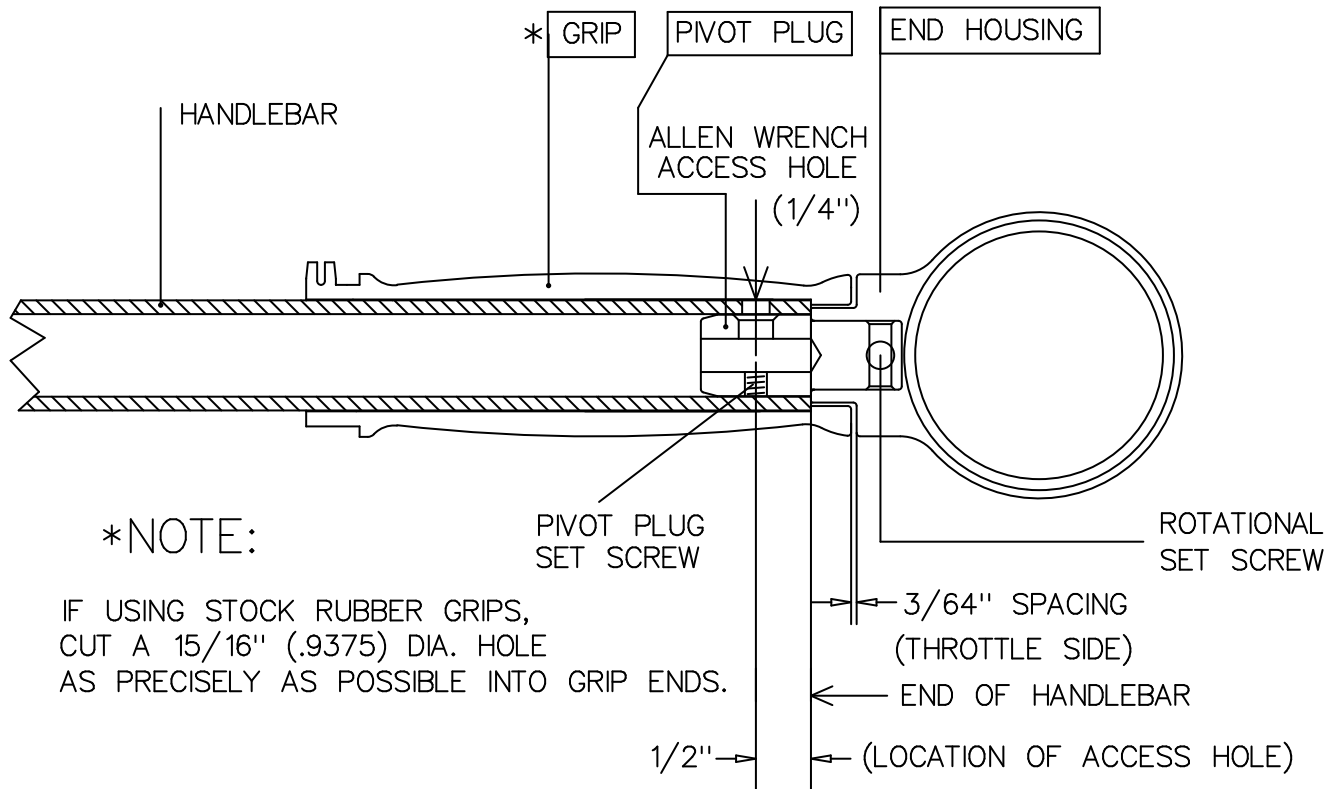


BAR END MIRROR INSTRUCTIONS



- ① DRILL 1/4" DIA. HOLE ON CENTER AND 1/2" INCH FROM END OF HANDLEBAR. (ONLY DRILL THRU ONE WALL OF BAR)
- ② DE-BURR HOLE INSIDE AND OUT.
- ③ INSERT PIVOT PLUG INTO BAR AND LINE-UP SET SCREW WITH HOLE IN HANDLEBAR.
- ④ TIGHTEN PIVOT PLUG SET SCREW. (USE LOCTITE ON ALL FASTENERS)
- ⑤ SLIDE GRIP INTO POSITION AND ASSEMBLE AS NORMAL.
- ⑥ SLIDE END HOUSING ONTO PIVOT PLUG.
- ⑦ ROTATE END HOUSING TO DESIRED POSITION AND TIGHTEN SET SCREW MAINTAINING APPROXIMATELY A 3/64" (.047) GAP BETWEEN THE GRIP AND THE END HOUSING. (THROTTLE SIDE)
- ⑧ REPEAT THE PROCESS ON THE STATIONARY (LEFT) GRIP SIDE.

Joker
MACHINE
PH: (909) 613-0028
FX: (909) 613-0098
WWW.JOKERMACHINE.COM

020919 D 9/03